

Service Bulletin

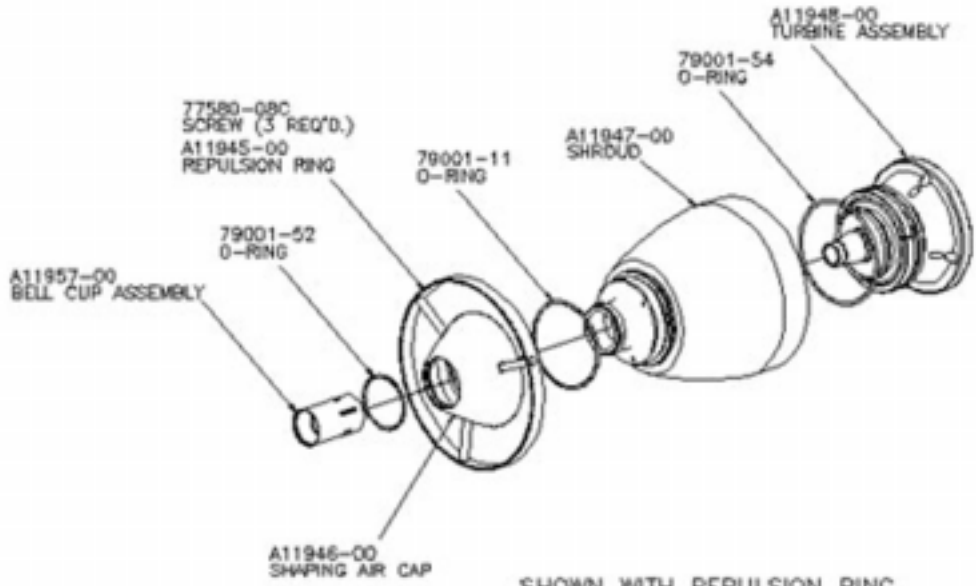
Bulletin No. 08-07
May 31, 2007

To: ITW Ransburg and ITW Automotive Finishing Distributors
Subject: "Ghost Buster" 30mm Bell Cup for RMA-202 Atomizer

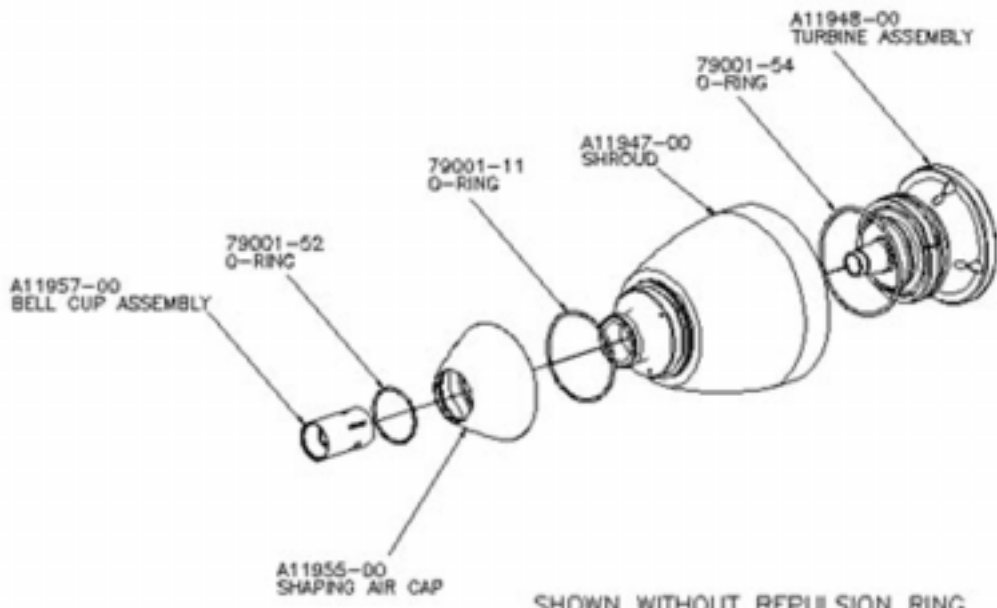
New "Ghost Buster" 30mm bell cup for RMA-202 Direct Charge Applicators. The parts can be ordered separately or it can be configured as part of the applicator when ordered. The Bell Cup (A11949-00) and Splash Plate Assembly (A11954-00) can be ordered separately or as an assembled Bell Cup Assembly (A11957-00).

A Splash Plate Removal/Installation Tool is required and can be ordered separately (A11388-00). A tool is included when the atomizer is ordered as an assembly.





SHOWN WITH REPULSION RING



SHOWN WITHOUT REPULSION RING