

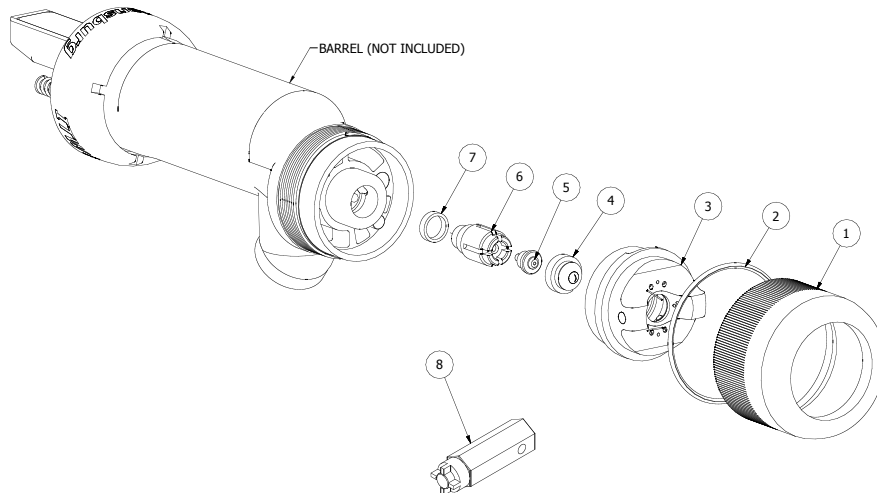
SALES BULLETIN

Bulletin No. 2009-02
March 31, 2009

To: ITW Ransburg Distributors

Subject: Vector AA 90 Fluid Nozzle & Air Cap Conversion Kit

We are pleased to introduce a new, a Vector AA90 Fluid Nozzle & Air Cap Conversion Kit (p/n 79925-00). This kit uses the latest technology to provide Vector AA90 users with improved transfer efficiency and overall performance as the new Vector Solo AA. This conversion kit consists of the same parts used on the new Vector Solo AA applicator.



79925-XX Vector AA90 Fluid Nozzle & Air Cap Conversion Kit

ITEM	QTY	PART NUMBER	DESCRIPTION
1	1	79568-00	RING, RETAINING, AIR ASSIST
2	1	LSOR0005-17	O-RING, TEFLON ENCAPSULATED
3	1	79695-00	ASS'Y., AIR CAP, SOLO AA
4	1	79691-0811	0811 CARBIDE TIP ASSEMBLY, FOR 79925-00 KIT
		79691-0813	0813 CARBIDE TIP ASSEMBLY, FOR 79925-01 KIT
		79691-1011	1011 CARBIDE TIP ASSEMBLY, FOR 79925-02 KIT
		79691-1015	1015 CARBIDE TIP ASSEMBLY, FOR 79925-03 KIT
5	1	79692-00-K3	ASSY., SEAL PRE-ORIFICE
6	1	79668-00	ASSEMBLY, FLUID NOZZLE
7	1	72375-03	SEAL, TEFLON
8	1	79676-00	ASSEMBLY, NOZZLE TOOL, SOLO AA
9	1	SI-09-02	LITERATURE (NOT SHOWN)