
SERVICE INSTRUCTION

INSTALLATION OF PRESSURE SWITCH IN 9050 CONTROL UNITS AND POWER SUPPLIES

Procedure to Install Pressure Switch In 9050 Cascade Control Unit to Interface With Econ Box

1. Disconnect AC power from the control unit, disconnect all hoses and cables, and remove the chassis assembly from the control unit.
2. Remove the hole plug from the hole shown in Figure 1. If unit does not already have a hole in this location, drill a 13/32" (10.3mm) hole as shown in Figure 1.

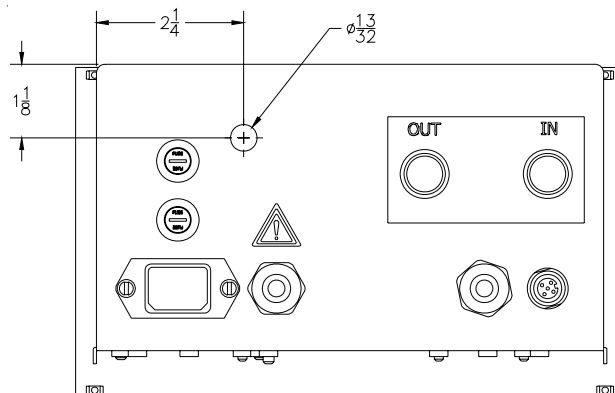


Figure 1

3. Disconnect the wire from the bottom of the lower fuse and connect to the normally open terminal of the pressure switch (see Figure 2). Leave the other end of this wire connected as is.

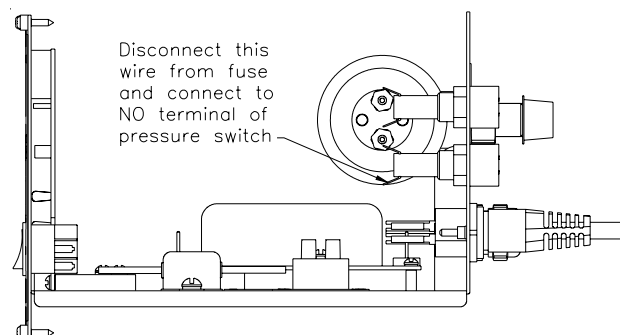


Figure 2

4. Connect wire supplied with pressure switch from COM terminal of pressure switch to lower end of bottom fuse shown in Figure 2.
5. Install the pressure switch in the hole shown in Figure 1 and secure with mounting nut (see Figure 3).
6. Reinstall chassis assembly into enclosure and reconnect hoses, cables, and AC power.



Figure 3

Procedure to Install Pressure Switch In 9050 Classic Power Supply to Interface With Econ Box

1. Disconnect AC power from the power supply and open the cabinet door.
2. Remove the hole plug from the hole shown in Figure 4. If unit does not already have a hole in this location drill a 13/32" (10.3mm) hole at the location shown in Figure 4.

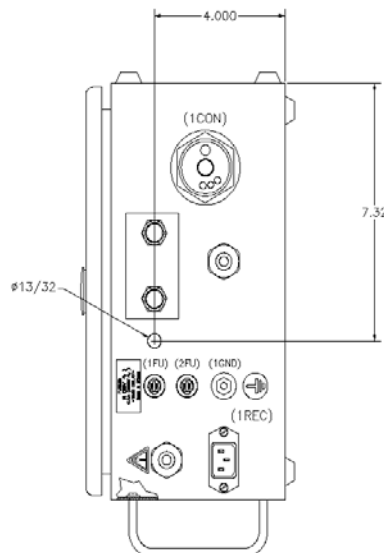


Figure 4

3. Disconnect the wire from the bottom of the lower fuse and connect to the normally open terminal of the pressure switch shown in Figure 5. Leave the other end of this wire connected as is.

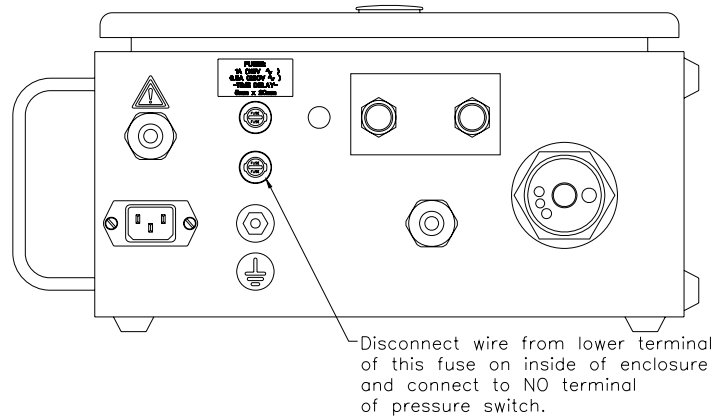


Figure 5

4. Connect wire supplied with pressure switch from COM terminal of pressure switch to lower end of bottom fuse shown in Figure 5.
5. Install the pressure switch in the hole and secure with mounting nut.
6. Secure the cabinet door and reconnect AC power.

Manufacturing

1910 North Wayne Street
Angola, Indiana 46703-9100
Telephone: 260/665-8800
Fax: 260/665-8516

Technical/Service Assistance

Automotive Assembly and Tier I
Industrial Systems
Ransburg Guns

Telephone: 800/ 626-3565 Fax: 419/ 470-2040
Telephone: 800/ 233-3366 Fax: 419/ 470-2071
Telephone: 800/ 233-3366 Fax: 419/ 470-2071

Technical Support Representative will direct you to the appropriate telephone number for ordering Spare Parts.