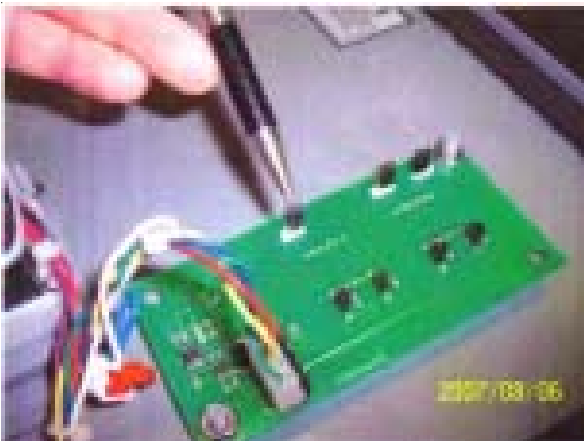

SERVICE INSTRUCTION

INSTALLATION OF PLC KIT A12060-00 FOR AIR HEATER A11065-05

1. Remove the black jumper from door PC board and discard.



3. Remove black jumper from cabinet PC board and discard.

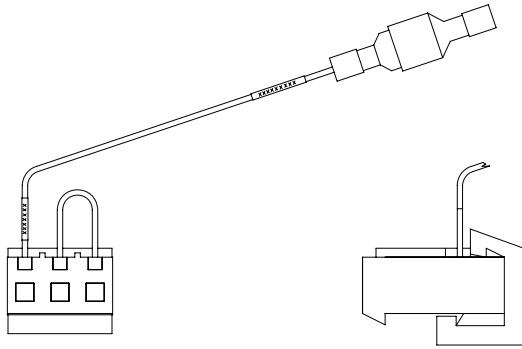


2. Add new jumper (note blue loop for polarity), White wire is DC Com.

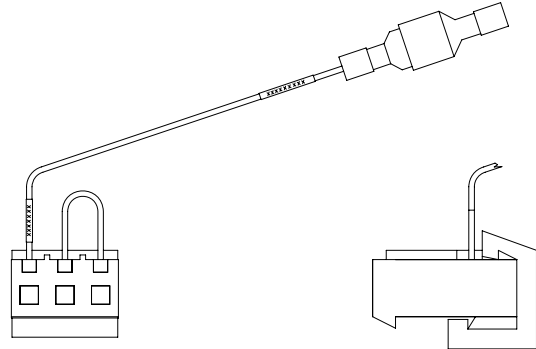


4. Add new jumper (note blue loop for polarity). Blue wire is +12 VDC (status OK).





White Wire, Common (1 Assembly)
Approx. 26-inch long



Blue Wire, 12 VDC (1 Assembly)
Approx. 10-inch long

Manufacturing

1910 North Wayne Street
Angola, Indiana 46703-9100
Telephone: 260/665-8800
Fax: 260/665-8516

Technical/Service Assistance

Automotive Assembly and Tier I
Industrial Systems
Ransburg Guns
www.itwransburg.com

Telephone: 800/ 626-3565 Fax: 419/ 470-2040
Telephone: 800/ 233-3366 Fax: 419/ 470-2071
Telephone: 800/ 233-3366 Fax: 419/ 470-2071

Technical Support Representative will direct you to the appropriate telephone number for ordering Spare Parts.