

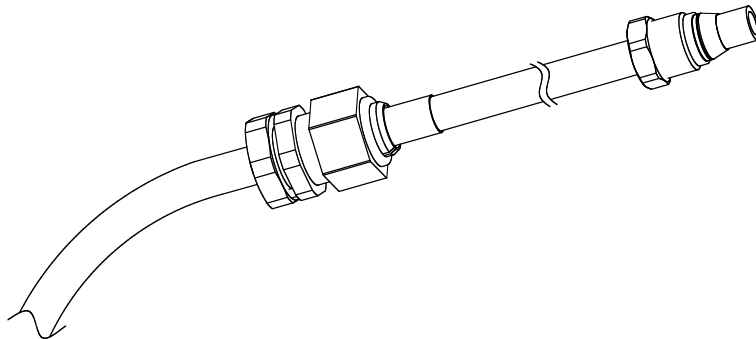
SERVICE BULLETIN

**Bulletin No. 02-08
August 29, 2008**

To: ITW Ransburg Distributors

Subject: Shortstopper Fluid Hose for Vector Solo

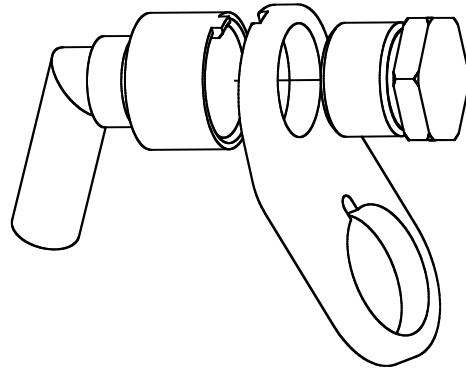
A new accessory option for the Vector Solo applicator is now available. The option is a short stopper fluid hose assembly for use with highly conductive materials. The short stopper is used when the coiled fluid tube (79871-00) does not adequately isolate highly conductive solvent based materials from ground. The following assemblies are available for purchase:



77821-XX / 77922-XX Short Stopper Assembly

SHORT STOPPER ASSEMBLIES	
Part Number	Description
77821-12	1.2 m (4') Long, 3/16" Grounded Fluid Hose Assembly
77821-30	3.0 m (10') Long, 3/16" ID Grounded Fluid Hose Assembly
77821-76	7.6 m (25') Long, 3/16" ID Grounded Fluid Hose Assembly
77822-12	1.2 m (4') Long, 1/4" ID Grounded Fluid Hose Assembly
77822-30	3.0 m (10') Long, 1/4" ID Grounded Fluid Hose Assembly
77822-79	7.6 m (25') Long, 1/4" ID Grounded Fluid Hose Assembly

In addition to the short stopper fluid hose assembly, a short stopper conversion kit must also be purchased in order to properly install the short stopper hose onto a Vector Solo Applicator. This conversion kit is 79891-00. Assembly instructions are included with the conversion kit.



79891-00 Conductive Fluid Conversion Kit